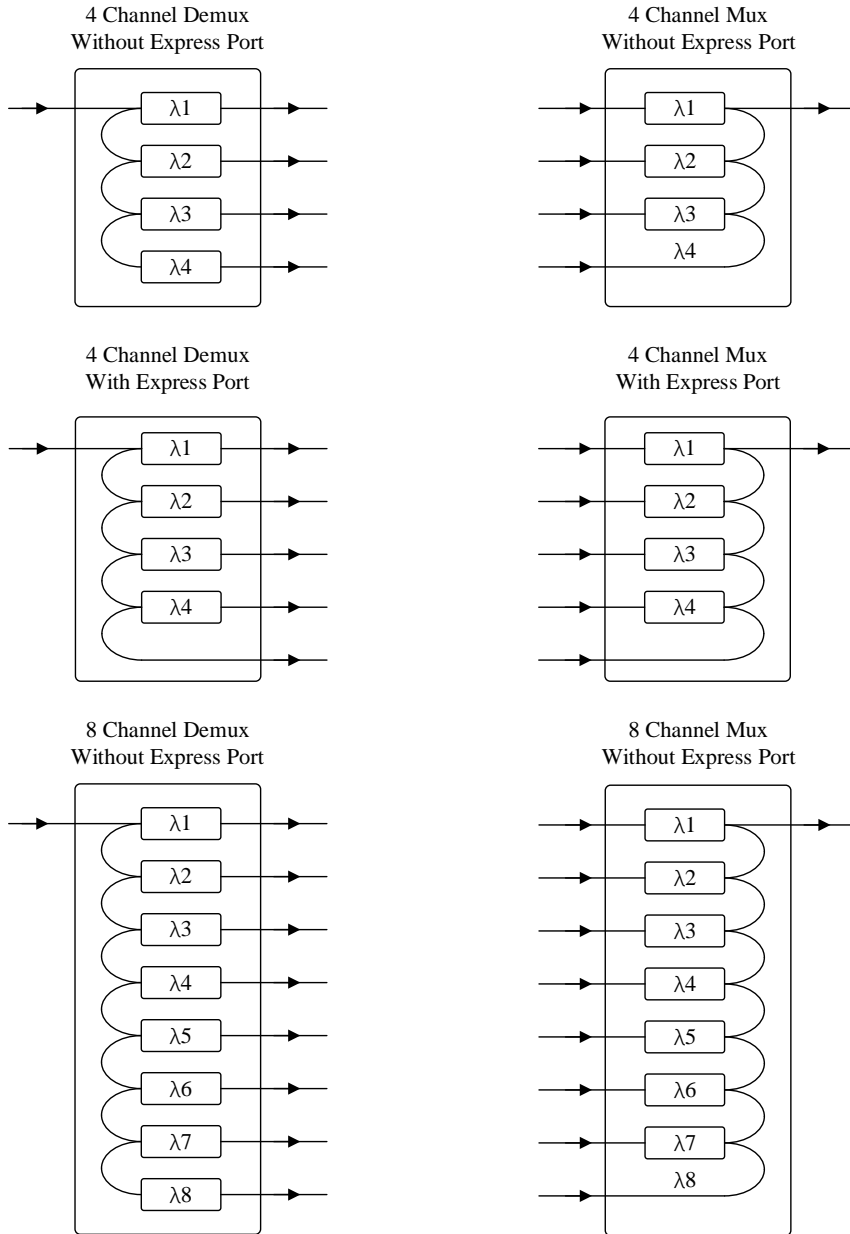


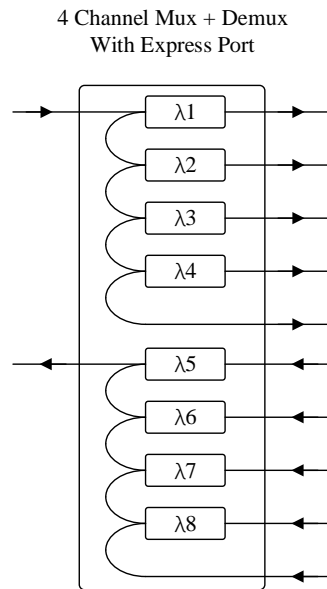
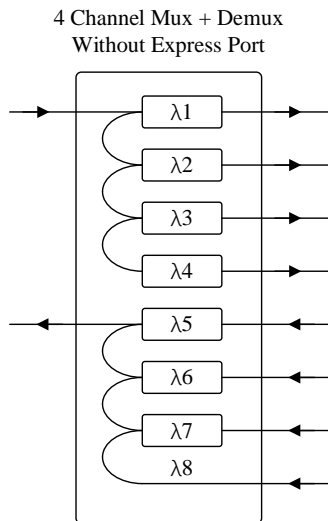
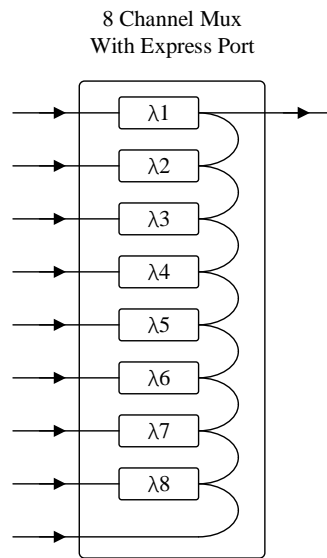
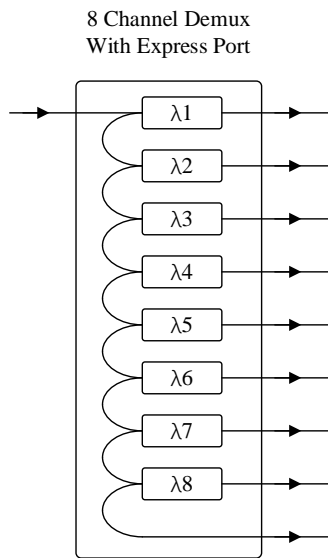
**Product: CWDM Module (ABS Box or Plug-in Box)**

Part Number	Spec Number	Version	Date
CWDMXXXXXXXXXXXX	S014	Rev 01	06/30/2022

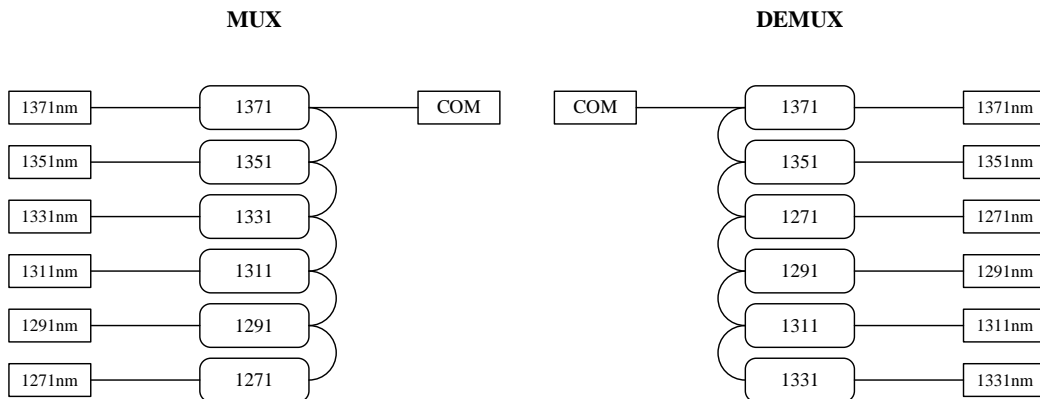
**1 Function Diagram**

ABS Box:

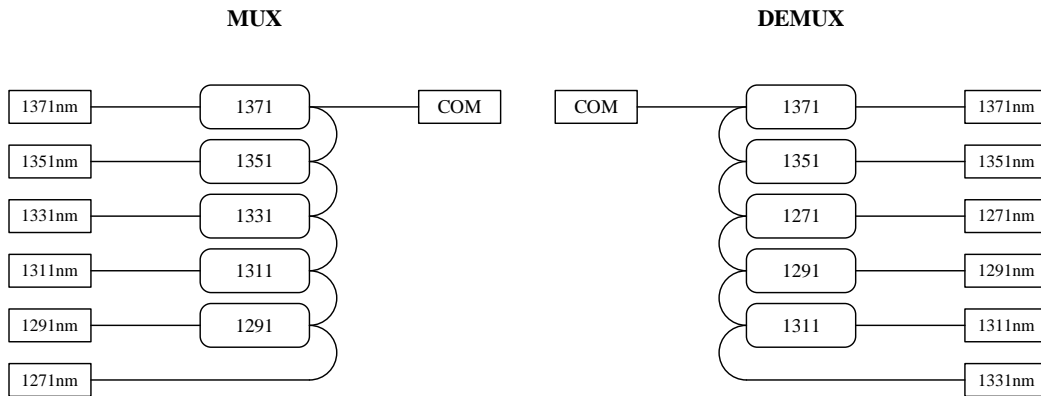




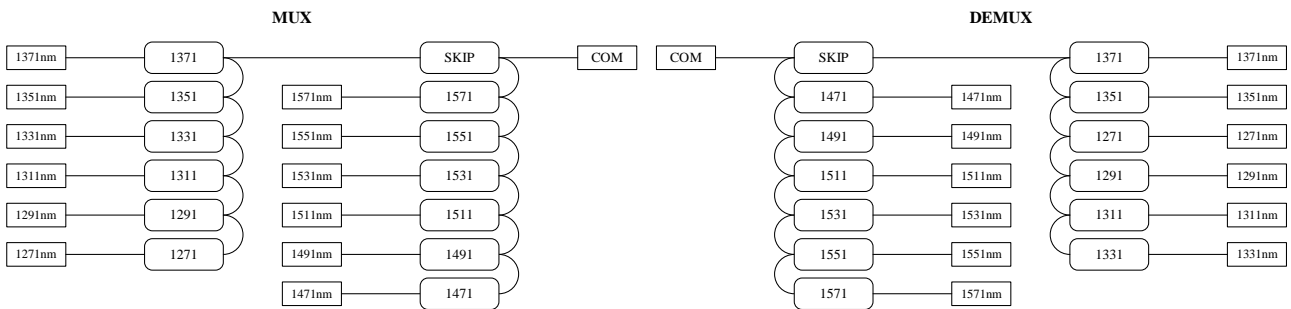
**Plug-in Box:**  
6 channel:



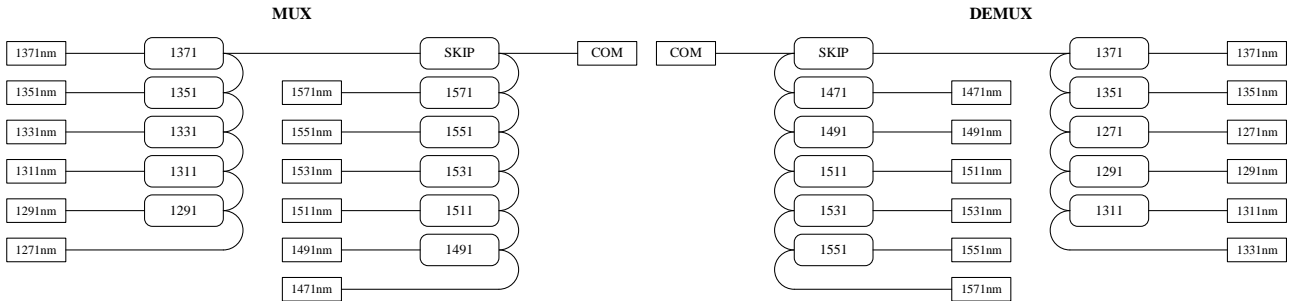
5 channel:



12 channel:



10 channel:



## 2 Channel Plan

	Channel Number	Center Wavelength	Pass Band (1dB)	
			Min	Max
CWDM	01	1271	1264.5	1277.5
	02	1291	1284.5	1297.5
	03	1311	1304.5	1317.5
	04	1331	1324.5	1337.5
	05	1351	1344.5	1357.5
	06	1371	1364.5	1377.5
	11	1471	1464.5	1477.5
	12	1491	1484.5	1497.5
	13	1511	1504.5	1517.5
	14	1531	1524.5	1537.5
	15	1551	1544.5	1557.5
	16	1571	1564.5	1577.5
	17	1591	1584.5	1597.5
	18	1611	1604.5	1617.5

### 3 Specifications

#### 3.1 Environment Conditions

Item	Parameters	Symbol	Min	Typ	Max	Units	Note
1.	Operating Temperature (C-Temp)	Tc	0		70	°C	
2.	Operating Temperature (I-Temp)	Ti	-40		85	°C	
3.	Storage Temperature	Tstor	-40		85	°C	
4.	Operating Relative Humidity	RHop	5		95	%	[1]
5.	Storage Relative Humidity	RHstor	5		95	%	[1]

**Note:**

[1] Not to exceed industrial standard of 0.024 kg water per kg of dry air under non-condensing conditions.

#### 3.2 Optical Specifications

##### 3.2.1 Common Specifications

Item	Parameters	Symbol	Min	Typ	Max	Units	Note
6.	Operation Wavelength	$\lambda_{op}$	1260		1620	nm	
7.	Center Wavelength (ITU Grid)	$\lambda_c$	1270~1610 / 1271~1611			nm	
8.	Center Wavelength Deviation	CWD		$\pm 1.5$		nm	
9.	Channel Spacing	CS		20		nm	
10.	Passband Bandwidth (1.0dB)	BW		$\pm 6.5$		nm	
11.	Passband Bandwidth (1.5dB)	BW		$\pm 7.5$		nm	
12.	Channel Ripple	Rp			0.3	dB	
13.	Isolation	Adjacent Channel	Iso	30		dB	
		Non-adjacent Channel	Iso	40		dB	
14.	Directivity	Dir	50			dB	
15.	Return Loss	RL	45			dB	
16.	Polarization Dependence Loss	PDL			0.1	dB	
17.	Optical Power	Pop			300	mW	G

**Note:**

G: Guaranteed by design.

##### 3.2.2 Module Insertion Loss

Item	Parameters	Symbol	Min	Typ	Max	Units	Note
18.	4 CH Insertion Loss	C-Temp	IL		2	dB	
		I-Temp	IL		2.5	dB	
19.	8 CH Insertion Loss	C-Temp	IL		3.0	dB	
		I-Temp	IL		3.5	dB	
20.	6 CH (5 CH) Insertion Loss	C-Temp	IL		2.5	dB	
		I-Temp	IL		3.0	dB	
21.	12 CH (10 CH) Insertion Loss	C-Temp	IL		3.5	dB	
		I-Temp	IL		4.0	dB	

**Note:**

\*Above specifications are for device with connectors.

### 3.3 Mechanical Specifications

#### 3.3.1 Specifications (ABS Box)

Item	Parameters	Symbol	Min	Typ	Max	Units	Note
22.	Fiber Type		G.657 A1				
23.	Fiber Length		0.5 ± 0.05			m	
24.	Fiber Jacket		900μm loose tube				
25.	Package Dimension		100 × 80 × 10			mm	
26.	Connector Type		LC / UPC				[2]

Note:

[2] Mark the ports on the connectors.

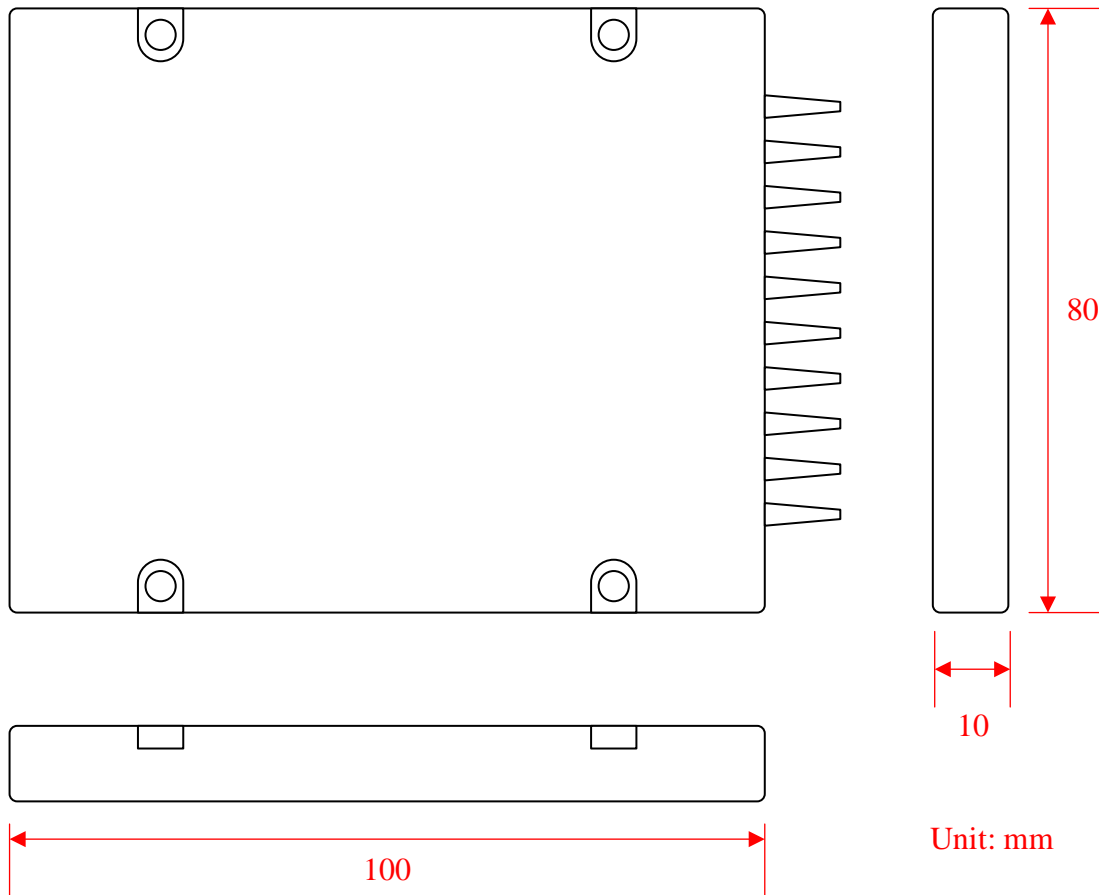
#### 3.3.2 Specifications (Plug-in Box)

Item	Parameters	Symbol	Min	Typ	Max	Units	Note
27.	Fiber Type		G.657 A1				
28.	Package Dimension		130 × 100 × 25			mm	
29.	Connector Type		LC / UPC				

Note:

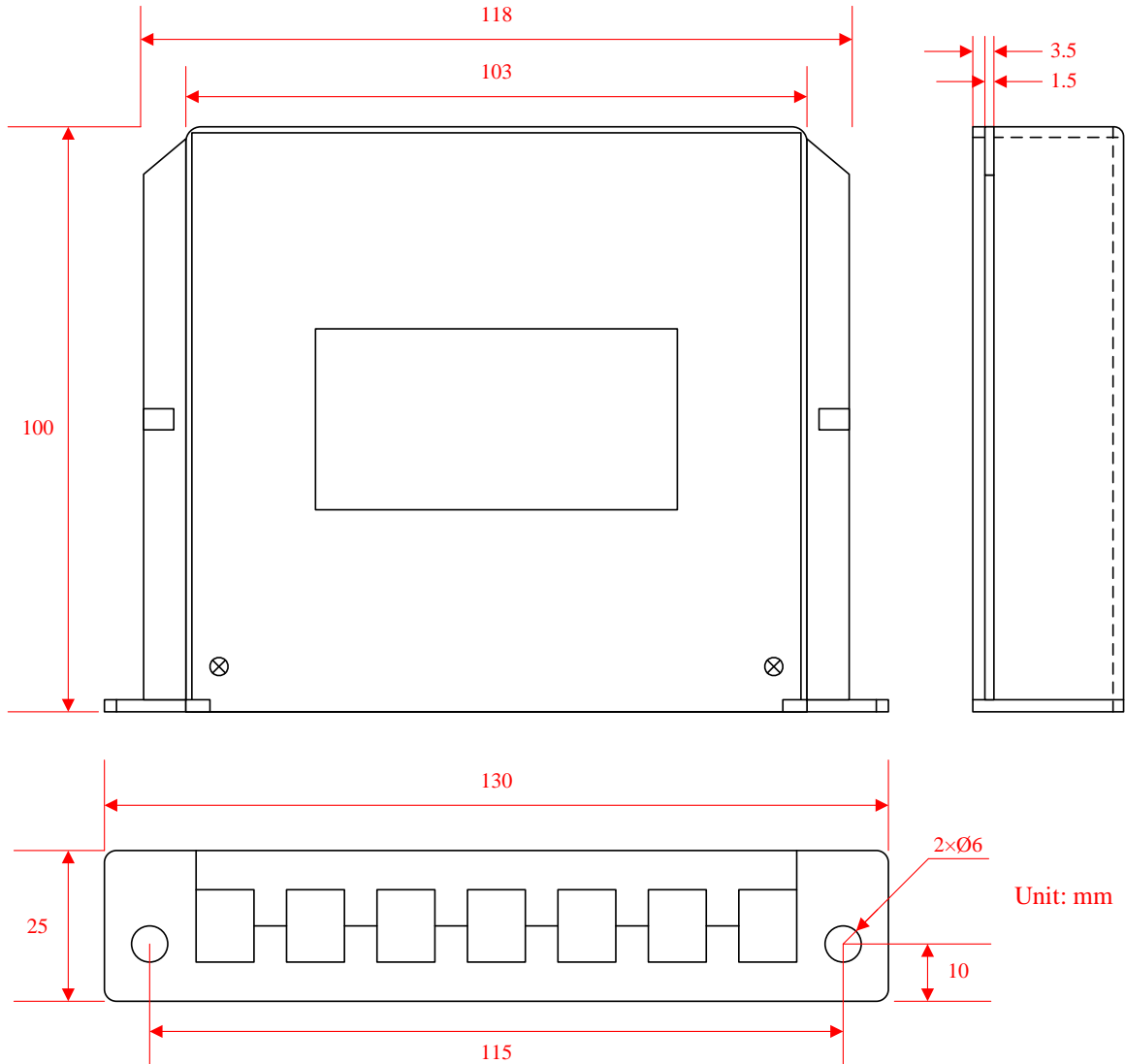
#### 3.3.3 Drawings

ABS Box:



Unit: mm

Plug-in Box:



## 4 Device Label, Delivery Data

### 4.1.1 Top Cover Label

The label on the top cover is a white or silver label. The label contains product name, PN, SN and SN barcode.



## 4.2 Test Data Sheet

Triple-Stone standard format.

## 5 RoHS

RoHS compliant.

## 6 Order Information

